



NATURE BALL VALVE

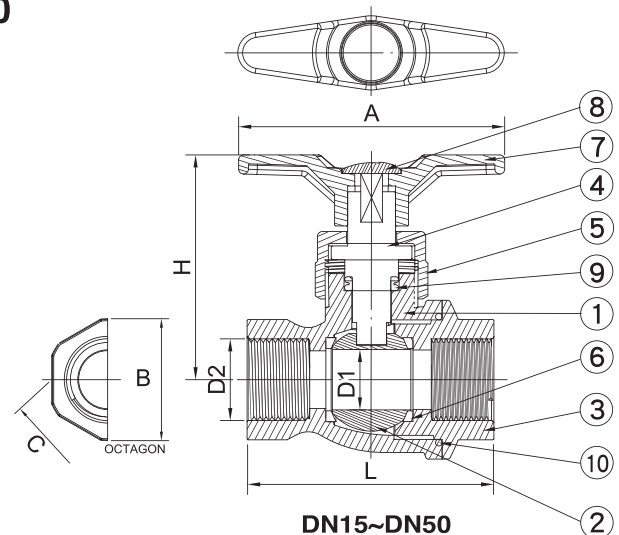


CN Series

THREAD CN200
Size: DN15~DN50

MATERIALS OF CONSTRUCTION

No.	Parts	Pcs	Materials	No.	Parts	Pcs	Materials
1	Body	1	UPVC	6	Seat	1	TEFLON
2	Ball	1	UPVC	7	Handle	1	ABS
3	End Connector	1	UPVC	8	Cap	1	PP
4	Stem	1	UPVC	9	Stem O-ring	1	EPDM
5	Gland Nut	1	UPVC	10	Body O-ring	1	EPDM



DIMENSIONS TABLE

DIMENSIONS											Unit: mm	
Nom. Size. DN-inch	D1	D2			L	H	A	B	C	Testpress (kgf/cm ²) (bar)	Working press (kgf/cm ²) (bar)	
		JIS	ANSI	DIN								
15(1/2")	13	PT1/2	NPT1/2	R1/2	80	77	88	35	32	15	10	
20(3/4")	19	PT3/4	NPT3/4	R3/4	89	80	88	45	41	15	10	
25(1")	25	PT1	NPT1	R 1	104	93	109	50	46	15	10	
32(1-1/4")	25	PT1 ^{1/4}	NPT1 ^{1/4}	R1 ^{1/4}	117	93	109	60	55	15	10	
40(1-1/2")	32	PT1 ^{1/2}	NPT1 ^{1/2}	R1 ^{1/2}	129	115	133	73	69	15	10	
50(2")	39	PT2	NPT2	R 2	149	120	133	83	79	15	10	