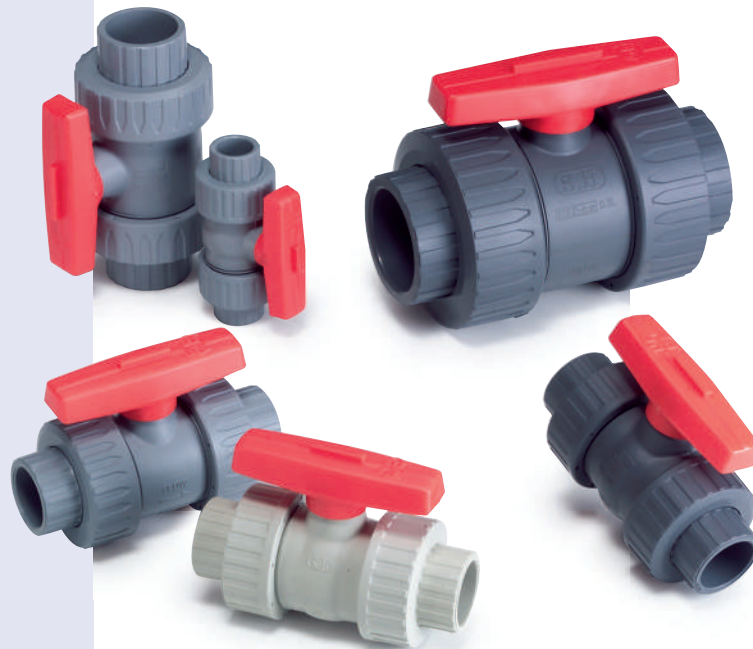




# SAFETY BLOCK (TRUE UNION) BALL VALVE



NSF certified listing

## CB Series

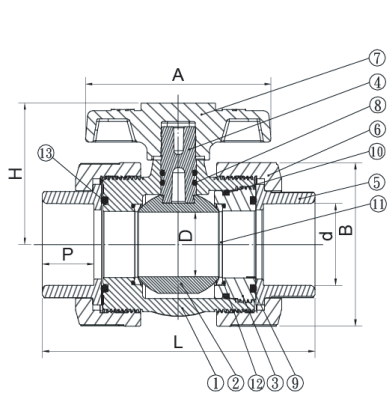
**CB100 SOCKET/ CB200 THREAD/ CB300 FLANGED**  
**Size: 1/2" - 4"**

### ● MATERIALS OF CONSTRUCTION

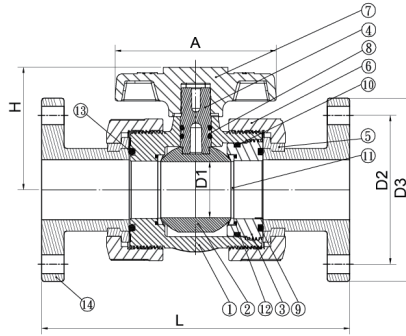
| Item | Parts         | Pcs | Materials         | Item | Parts                | Pcs | Materials         |
|------|---------------|-----|-------------------|------|----------------------|-----|-------------------|
| 1    | BODY          | 1   | UPVC,PP,CPVC,PVDF | 8    | STEM O'RING          | 2   | EPDM,VITON        |
| 2    | BALL          | 1   | UPVC,PP,CPVC,PVDF | 9    | END'S O'RING         | 1   | EPDM,VITON        |
| 3    | SEAT CARRIER  | 1   | UPVC,PP,CPVC,PVDF | 10   | BODY O'RING          | 1   | EPDM,VITON        |
| 4    | STEM          | 1   | UPVC,PP,CPVC,PVDF | 11   | SEAT                 | 1   | PTFE              |
| 5    | END CONNECTOR | 2   | UPVC,PP,CPVC,PVDF | 12   | SOLID CARRIER O'RING | 2   | EPDM,VITON        |
| 6    | UNION NUT     | 2   | UPVC,PP,CPVC,PVDF | 13   | SOLID END O'RING     | 1   | EPDM,VITON        |
| 7    | HANDLE        | 1   | ABS               | 14   | FLANGE               | 2   | UPVC,PP,CPVC,PVDF |

### ● DIMENSIONS TABLE

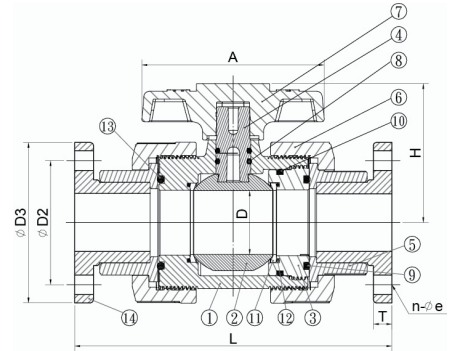
| Nominal Pipe Size | JIS |     |     |        |         |    |   |      |        |        |        |     |    |     |     | Unit:mm                          |                                      |
|-------------------|-----|-----|-----|--------|---------|----|---|------|--------|--------|--------|-----|----|-----|-----|----------------------------------|--------------------------------------|
|                   | D1  | D2  | D3  | d      |         | e  | n | P    | L      |        |        | A   | T  | H   | B   | TestPress (kgf/cm <sup>2</sup> ) | Working press (kgf/cm <sup>2</sup> ) |
|                   |     |     |     | Socket | Thread  |    |   |      | Socket | Thread | Flange |     |    |     |     |                                  |                                      |
| 15(1/2")          | 15  | 70  | 95  | 22     | PT1/2   | 15 | 4 | 22.2 | 115    | 115    | 152    | 77  | 15 | 55  | 54  | 22.5                             | 15                                   |
| 20(3/4")          | 19  | 75  | 100 | 26     | PT3/4   | 15 | 4 | 25.4 | 126    | 126    | 164    | 85  | 16 | 60  | 65  | 22.5                             | 15                                   |
| 25(1")            | 25  | 90  | 125 | 32     | PT1     | 19 | 4 | 28.6 | 145    | 145    | 189    | 98  | 17 | 71  | 73  | 22.5                             | 15                                   |
| 32(1-1/4")        | 38  | 100 | 135 | 38     | PT1-1/4 | 19 | 4 | 31.8 | 167    | 167    | 211    | 109 | 17 | 75  | 81  | 22.5                             | 15                                   |
| 40(1-1/2")        | 38  | 105 | 140 | 48     | PT1-1/2 | 19 | 4 | 34.9 | 182    | 182    | 230    | 118 | 17 | 95  | 98  | 22.5                             | 15                                   |
| 50(2")            | 48  | 120 | 155 | 60     | PT2     | 19 | 4 | 38.1 | 202    | 202    | 254    | 137 | 20 | 104 | 120 | 22.5                             | 15                                   |
| 65(2-1/2")        | 65  | 140 | 175 | 76     | PT2-1/2 | 19 | 4 | 44.5 | 227    | 227    | 279    | 190 | 20 | 140 | 150 | 15                               | 10                                   |
| 80(3")            | 78  | 150 | 185 | 89     | PT3     | 19 | 8 | 47.6 | 273    | 273    | 328    | 230 | 23 | 165 | 184 | 15                               | 10                                   |
| 100(4")           | 102 | 175 | 210 | 114    | PT4     | 19 | 8 | 57.0 | 323    | 323    | 387    | 274 | 23 | 172 | 226 | 15                               | 10                                   |



SOCKET & SCREW TYPE



15A-50A FLANGE TYPE



65A-100A FLANGE TYPE

**DIMENSIONS TABLE**

| ANSI              |       |       |       |        |          |       |   |       |        |        |        |       |       |      |       |                                  | Unit:inch                           |
|-------------------|-------|-------|-------|--------|----------|-------|---|-------|--------|--------|--------|-------|-------|------|-------|----------------------------------|-------------------------------------|
| Nominal Pipe Size | D1    | D2    | D3    | d      |          | e     | n | P     | L      |        |        | A     | T     | H    | B     | Test Press (lb/in <sup>2</sup> ) | Working press (lb/in <sup>2</sup> ) |
|                   |       |       |       | Socket | Thread   |       |   |       | Socket | Thread | Flange |       |       |      |       |                                  |                                     |
| 15(1/2")          | 0.59  | 2.375 | 3.500 | 0.848  | NPT1/2   | 0.625 | 4 | 0.875 | 4.528  | 4.528  | 5.984  | 3.03  | 0.591 | 2.17 | 2.17  | 353                              | 235                                 |
| 20(3/4")          | 0.748 | 2.750 | 3.875 | 1.058  | NPT3/4   | 0.625 | 4 | 1.000 | 4.961  | 4.961  | 6.457  | 3.35  | 0.630 | 2.36 | 2.56  | 353                              | 235                                 |
| 25(1")            | 0.98  | 3.125 | 4.250 | 1.325  | NPT1     | 0.625 | 4 | 1.125 | 5.709  | 5.709  | 7.441  | 3.86  | 0.669 | 2.80 | 2.87  | 353                              | 235                                 |
| 32(1-1/4")        | 1.496 | 3.500 | 4.625 | 1.670  | NPT1-1/4 | 0.625 | 4 | 1.250 | 6.574  | 6.574  | 8.307  | 4.29  | 0.669 | 2.95 | 3.19  | 353                              | 235                                 |
| 40(1-1/2")        | 1.496 | 3.875 | 5.000 | 1.912  | NPT1-1/2 | 0.625 | 4 | 1.375 | 7.165  | 7.165  | 9.055  | 4.65  | 0.709 | 3.74 | 3.86  | 353                              | 235                                 |
| 50(2")            | 1.89  | 4.750 | 6.000 | 2.387  | NPT2     | 0.750 | 4 | 1.500 | 7.953  | 7.953  | 10.000 | 5.39  | 0.787 | 4.09 | 4.72  | 353                              | 235                                 |
| 65(2-1/2")        | 2.56  | 5.500 | 7.000 | 2.889  | NPT2-1/2 | 0.750 | 4 | 1.750 | 8.937  | 8.937  | 10.984 | 7.48  | 0.787 | 5.51 | 5.90  | 235                              | 150                                 |
| 80(3")            | 3.07  | 6.000 | 7.500 | 3.515  | NPT3     | 0.750 | 4 | 1.875 | 10.748 | 10.748 | 12.914 | 9.06  | 0.90  | 6.50 | 7.24  | 235                              | 150                                 |
| 100(4")           | 4.01  | 7.500 | 9.000 | 4.518  | NPT4     | 0.750 | 8 | 2.250 | 12.716 | 12.716 | 15.236 | 10.79 | 0.90  | 6.77 | 8.897 | 235                              | 150                                 |

| DIN               |     |     |     |        |        |    |   |      |        |        |        |     |    |     |     |                  | Unit:mm             |
|-------------------|-----|-----|-----|--------|--------|----|---|------|--------|--------|--------|-----|----|-----|-----|------------------|---------------------|
| Nominal Pipe Size | D1  | D2  | D3  | d      |        | e  | n | P    | L      |        |        | A   | T  | H   | B   | Test Press (bar) | Working press (bar) |
|                   |     |     |     | Socket | Thread |    |   |      | Socket | Thread | Flange |     |    |     |     |                  |                     |
| 15(1/2")          | 15  | 65  | 95  | 20     | R1/2   | 14 | 4 | 16.0 | 115    | 115    | 152    | 77  | 15 | 55  | 54  | 24               | 16                  |
| 20(3/4")          | 19  | 75  | 105 | 25     | R3/4   | 14 | 4 | 18.5 | 126    | 126    | 164    | 85  | 16 | 60  | 65  | 24               | 16                  |
| 25(1")            | 25  | 85  | 115 | 32     | R1     | 14 | 4 | 22.0 | 145    | 145    | 189    | 98  | 17 | 71  | 73  | 24               | 16                  |
| 32(1-1/4")        | 38  | 100 | 140 | 40     | R1-1/4 | 18 | 4 | 26.0 | 167    | 167    | 211    | 109 | 17 | 75  | 81  | 24               | 16                  |
| 40(1-1/2")        | 38  | 110 | 150 | 50     | R1-1/2 | 18 | 4 | 31.0 | 182    | 182    | 230    | 118 | 18 | 95  | 98  | 24               | 16                  |
| 50(2")            | 48  | 125 | 165 | 63     | R2     | 18 | 4 | 37.5 | 202    | 202    | 254    | 137 | 20 | 104 | 120 | 24               | 16                  |
| 65(2-1/2")        | 65  | 145 | 185 | 75     | R2-1/2 | 18 | 4 | 43.5 | 227    | 227    | 279    | 190 | 20 | 140 | 150 | 15               | 10                  |
| 80(3")            | 78  | 160 | 200 | 90     | R3     | 18 | 8 | 51.0 | 273    | 273    | 328    | 230 | 23 | 165 | 184 | 15               | 10                  |
| 100(4")           | 102 | 180 | 220 | 110    | R4     | 18 | 8 | 61.0 | 323    | 323    | 387    | 274 | 23 | 172 | 226 | 15               | 10                  |

The dimension table is calculated based on PVC material.  
 ✱ The valve of test pressure is calculated based on PVC PVDF materials.  
 The value of test pressure for PP material is 70% based on the table.  
 The flanged length tolerance is according to EN558-1:1995.