



# TRUE UNION DIAPHRAGM VALVE



## DF Series

**DF100 SOCKET / DF200 THREAD**

**DE100/DE200 3 LAYERS DIAPHRAGM TURE UNION VALVE**

Suitable to the protect diaphragm from the gas permeation in the corrosion resistance and electrolytic chlorine gas.

### ● MATERIALS OF CONSTRUCTION

Item	Parts	Pcs	Materials	Item	Parts	Pcs	Materials
1	Shaft	1	BRASS	9	Gauge Cover	1	PC
2	Diaphragm	1	EPDM, TEFLON , PVDF 3 LAYS	10	O'ring	2	EPDM, VITON
3	Body	1	UPVC, PP, CPVC, PVDF	11	Compressor	1	15A-25A PVDF 32A-50A PPG
4	Sleeve	1	BRASS	12	Indicator	1	PE
5	Union Nut	2	UPVC, PP, CPVC, PVDF	13	Bolt	4	SUS304
6	Handle	1	ABS	14	Nut	4	SUS304
7	End Connector	2	UPVC, PP, CPVC, PVDF	15	Washer spring washer	8	SUS304
8	Bonnet	1	UPVC, PP, CPVC, PVDF				
8-1	Bonnet Board	1	SUS304				



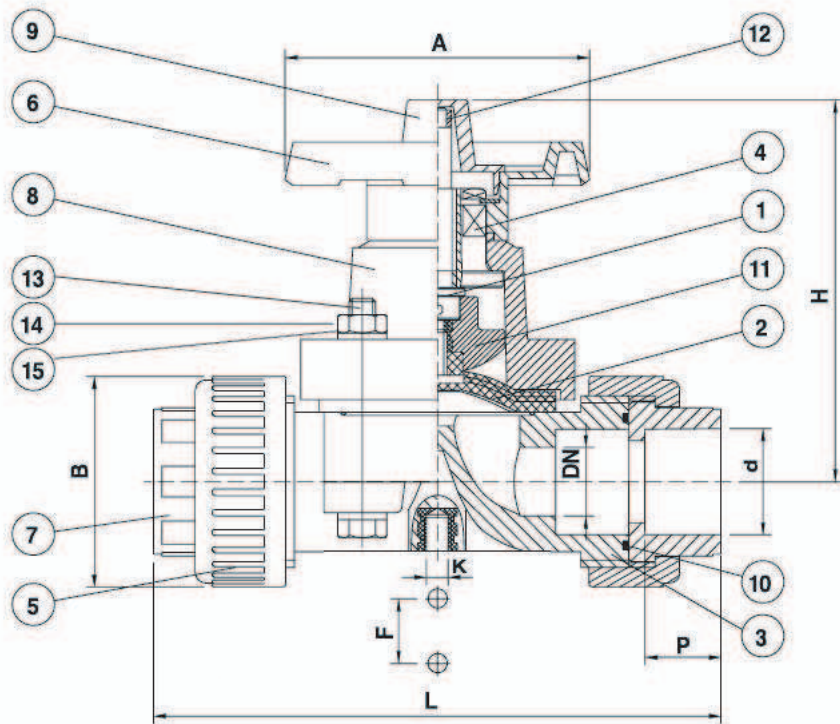
**TORQUE VALUE**

SIZE	Kg.m	N.m
1/2"-3/4"	80	7.85
1"	80	7.85
1-1/2"	100	9.81
2"	100	9.81

1Kg.cm=0.0981N.m

**CV VALUE**

CV [GMP/(1lbf/in <sup>2</sup> ) <sup>1/2</sup> ]	
OPENING: 100%	
尺寸	CV
1/2"	3.27
3/4"	5.29
1"	8.87
1-1/2"	31.09
2	43.15



DN15~DN50

**DIMENSIONS TABLE**

Standards Norm. Size	JIS											ANSI											DIN										
	Unit: mm											Unit: inch											Unit: mm										
	d		P	B	L	H	A	F	K	Test Press (kgf/cm <sup>2</sup> )		d		P	B	L	H	A	F	K	Test Press (lb/in <sup>2</sup> )		d		P	B	L	H	A	F	K	Test Press (bar)	
	Socket	Thread								Ptfe dia.	Rubber Dia.	Socket	Thread								Ptfe dia.	Rubber Dia.	Socket	Thread							Ptfe dia.	Rubber Dia.	
15 (1/2")	22	PT1/2	22.2	54	166	107.5	81	25	8	10	10	0.84	NPT1/2	0.875	2.126	6.53	4.23	3.189	0.984	0.315	150	150	20	R1/2	16.0	54	166	107.5	81	25	8	10	10
20(3/4")	26	PT3/4	25.4	54	166	107.5	81	25	8	10	10	1.05	NPT3/4	1.000	2.126	6.53	4.23	3.189	0.984	0.315	150	150	25	R1/4	18.5	54	166	107.5	81	25	8	10	10
25(1")	32	PT1	28.6	63	183	116	91	25	8	10	10	1.32	NPT1	1.125	2.480	7.2	4.567	3.583	0.984	0.315	150	150	32	R1	22.0	63	183	116	91	25	8	10	10
32(1-1/4")	38	PT1 1/4	31.8	89	238	142	117	45	8	10	10	1.66	NPT1-1/4	1.250	3.5	9.37	5.591	4.606	1.772	0.315	150	150	40	R1-1/4	26.0	89	238	142	117	45	8	10	10
40(1-1/2")	48	PT1 1/2	34.9	89	238	142	117	45	8	10	10	1.90	NPT1-1/2	1.375	3.5	9.37	5.591	4.606	1.772	0.315	150	150	50	R1-1/2	31.0	89	238	142	117	45	8	10	10
50(2")	60	PT2	38.1	101	273	176	150	45	8	10	10	2.38	NPT2	1.500	3.97	10.74	6.929	5.906	1.772	0.315	150	150	63	R2	37.5	101	273	176	150	45	8	10	10

※ Standard dimensions based on PVC material