



COMPRESSION COUPLING

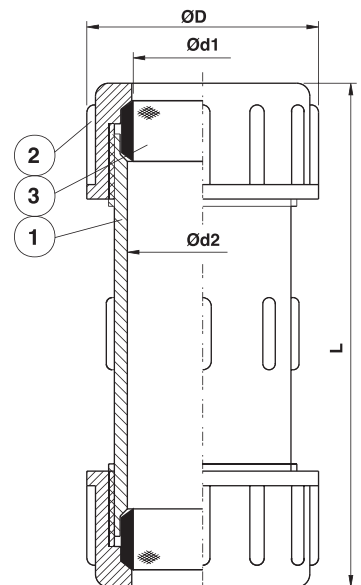


EC Series

EC100 Size: 1/2" to 4" (IPS)

Specification: Schedule 40 & Schedule 80

- For use in any general piping applications, metal, plastic or copper pipe.
- Easy to operate for instant and emergency piping.



DN15~DN100

MATERIALS OF CONSTRUCTION

NO.	Parts	Materials	Pcs
1	BODY	UPVC	1
2	UNION NUT	UPVC	2
3	SEAL	NBR , EPDM	2

C.T.S DIMENSIONS

	1/2"	3/4"	1"
D	35.00	43.60	49.00
d1	16.08	22.45	28.83
d2	18.00	24.00	30.00
L	114.5	121.0	128.0

DIMENSIONS TABLE

SIZE	13mm (3/8")	15mm (1/2")	20mm (3/4")	25mm (1")	32mm (1-1/4")	40mm (1-1/2")	50mm (2")	65mm (2-1/2")	80mm (3")	100mm (4")
Nom.										
D	35.0	43.6	49.0	57.0	66.9	73.2	88.6	110.0	130.0	160.5
d1	JIS	18.0	21.4	25.5	32.2	38.0	48.3	60.3	75.2	89.1
	ANSI	18.0	21.4	26.7	33.5	42.2	48.3	60.3	73.2	89.1
	DIN	16.1	20.3	25.5	32.2	40.5	50.4	63.4	75.2	90.5
	BS	18.0	20.3	26.7	33.2	42.2	48.3	60.3	75.2	89.1
d2	19.2	22.7	27.7	34.9	43.3	49.2	63.8	76.8	92.4	116.3
L	114.0	121.0	128.0	133.0	151.0	168.0	175.0	252.0	277.0	310.0