



# TRUE UNION BALL CHECK VALVE (VERTICAL TYPE)

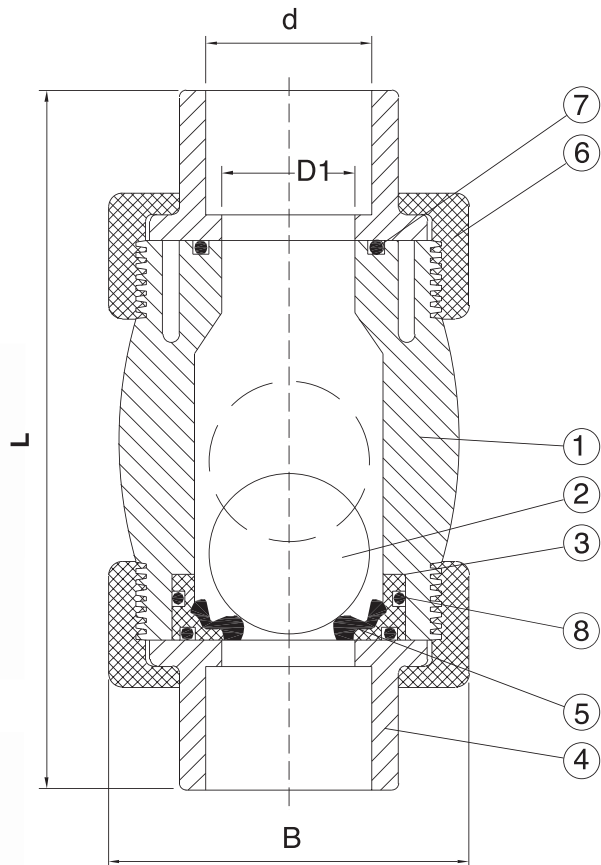


## JX Series

### SOCKET JX100 / THREAD JX200 SIZE: 1/2"-4"

#### ● MATERIALS OF CONSTRUCTION

No.	Parts	Pcs.	Materials
1	Body	1	UPVC,PP,CPVC,PVDF
2	Ball	1	UPVC,CPVC,PVDF,PPG
3	Seat Carrier	1	UPVC,PP,CPVC,,PVDF
4	End Connector	2	UPVC,PP,CPVC,PVDF
5	Seat	1	EPDM,VITON
6	Union Nut	2	UPVC,PP,CPVC,PVDF
7	O'ring	1	EPDM,VITON
8	Seat Carrier O-Ring	65A-100A	EPDM,VITON



DN15~DN100

Min. Open & Close Pressure (kgf/cm)<sup>2</sup> (bar)

	Open	Close
1/2"	0.05	0.2
3/4"	0.05	0.3
1"	0.05	0.30
1-1/4"	0.10	0.30
1-1/2"	0.10	0.30
2"	0.10	0.30
2-1/2"	0.10	0.30
3"	0.10	0.20
4"	0.10	0.20

**DIMENSIONS TABLE**

Nom. Size DN (inch)	JIS Unit:mm						ANSI Unit:inch						DIN Unit:mm						Test Press (kgf/cm <sup>2</sup> (bar))	Working Press (kgf/cm <sup>2</sup> (bar))
	D1	d		L		B	D1	d		L		B	D1	d		L		B		
		Socket	Thread	Socket	Thread			Socket	Thread	Socket	Thread			Socket	Thread	Socket	Thread			
15(1/2")	15	22	PT	104	104	53.5	0.598	0.848	NPT	4.09	4.09	2.016	15	20	R1/2	104	104	53.5	15	10
20(3/4")	19.5	26	PT	120	120	63.3	0.771	1.058	NPT	4.72	4.72	2.492	19.5	25	R3/4	120	120	63.3	15	10
25(1")	25	32	PT	136	136	73	0.984	1.325	NPT	5.35	5.35	2.874	25	32	R1	136	136	73	15	10
32(1-1/4")	32	38	PT	173	173	97.5	1.259	1.670	NPT	6.81	6.81	3.842	32	40	R1-1/4	173	173	97.5	15	10
40(1-1/2")	40	48	PT	174	174	97.5	1.574	1.912	NPT	6.85	6.85	3.842	40	50	R1-1/2	174	174	97.5	15	10
50(2")	50	60	PT	195	195	120.5	1.968	2.387	NPT	7.68	7.68	4.744	50	63	R2	195	195	120.5	15	10
65(2-1/2")	62.5	76	PT	222	222	150	2.46	2.889	NPT	8.74	8.74	5.9	62.5	75	R2-1/2	222	222	150	10	7
80(3")	76	89	PT	274	274	184	3	3.515	NPT	10.71	10.71	7.24	76	90	R3	274	274	184	10	7
100(4")	100	114	PT	361	361	199	3.94	4.518	NPT	14.21	14.21	7.83	100	110	R4	361	361	199	10	7

The dimension table is calculated based on PVC material.  
 ※ The valve of test pressure is calculated based on PVC PVDF materials.  
 The valve of test pressure for PP material is 70% based on the table.  
 The flanged length tolerance is according to EN558-1:1995.