



Y-SEDIMENT STRAINERS



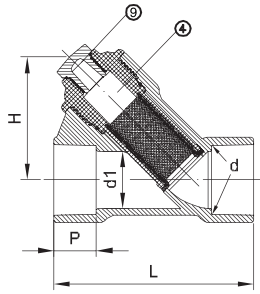
EY Series

SOCKET EY100 / THREAD EY 200 / FLANGE EY 300
Size: 1/2" - 4"

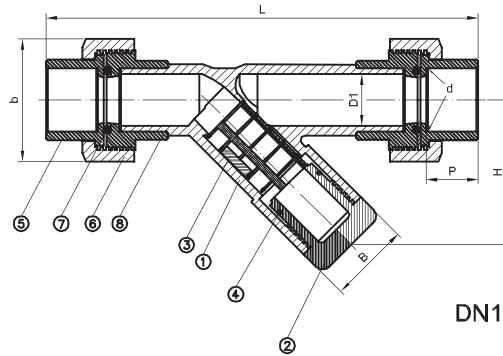
Color: Clear & gray

● MATERIALS OF CONSTRUCTION

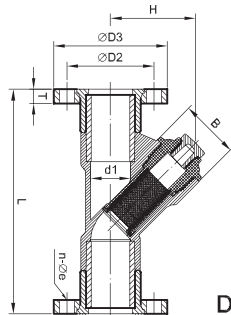
No.	Parts	Pcs.	Materials
1	Body	1	UPVC, CPVC
2	Lid	1	UPVC, CPVC
3	Screen	1	PE
4	Body O'ring	1	EPDM, VITON
5	Connector	2	UPVC, CPVC
6	Union Nut	2	UPVC, CPVC
7	Union O'ring	2	EPDM, VITON
8	Flange	2	UPVC, CPVC
9	Bolt O'ring	1	EPDM, VITON



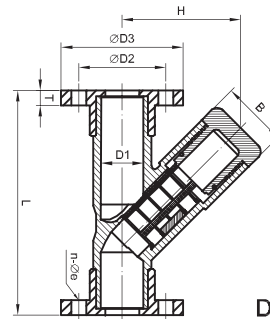
DN65~DN100 (ANSI)



DN15~DN100



DN65~DN100



DN15~DN50

DIMENSIONS TABLE

JIS														Unit:mm			
Nom. Size DN-inch	D1	D2	D3	d		Øe	n	P	L			B	T	H	b	Test Press (kgf/cm ²)	Working Press (kgf/cm ²)
				SOCKET	THREAD				SOCKET	THREAD	FLANGE						
15(1/2")	15.0	70	95	22	PT 1/2"	15	4	22.2	205.0	205.0	146.0	35.0	15	70.0	46	15	10
20(3/4")	20.0	75	100	26	PT 3/4"	15	4	25.4	234.0	234.0	170.0	39.0	15	80.0	61	15	10
25(1")	26.0	90	125	32 (CNS) 34	PT 1"	19	4	28.6	250.0	250.0	174.0	47.0	17	95.0	70 67	15	10
32(1-1/4")	32.0	100	135	38 (CNS) 42	PT 1-1/4"	19	4	31.8	283.0	283.0	200.0	55.0	17	110.0	81 89	15	10
40(1-1/2")	40.0	105	140	48	PT 1-1/2"	19	4	34.9	312.0	312.0	218.0	70.0	17	132.0	89	15	10
50(2")	50.0	120	155	60	PT 2"	19	4	38.1	352.0	352.0	238.0	81.0	20	155.0	101	15	10
65(2-1/2")	60.6	140	175	76	PT 2-1/2"	19	4	44.5	445.0	445.0	312.0	89.5	20	137.1	150	15	10
80(3")	80.0	150	185	89	PT 3"	19	8	47.6	516.0	516.0	360.0	109.3	23	163.8	184	15	10
100(4")	100.0	175	210	114	PT 4"	19	8	57.1	602.0	602.0	408.0	136.1	23	199.2	199	15	10

ANSI														Unit:inch			
Nom. Size DN-inch	D1	D2	D3	d		Øe	n	P	L			B	T	H	b	Test Press (lb/in ²)	Working Press (lb/in ²)
				SOCKET	THREAD				SOCKET	THREAD	FLANGE						
15(1/2")	0.59	2.38	3.50	0.84	NPT 1/2"	0.63	4	0.88	8.07	8.07	5.75	1.37	0.59	2.76	1.81	235	150
20(3/4")	0.79	2.75	3.88	1.05	NPT 3/4"	0.63	4	1.00	9.21	9.21	6.69	1.53	0.63	3.15	2.40	235	150
25(1")	1.02	3.13	4.25	1.31	NPT 1"	0.63	4	1.13	9.84	9.84	6.85	1.85	0.67	3.74	2.76	235	150
32(1-1/4")	1.26	3.50	4.63	1.66	NPT 1-1/4"	0.63	4	1.25	11.14	11.14	7.87	2.16	0.67	4.33	3.19	235	150
40(1-1/2")	1.57	3.88	5.00	1.89	NPT 1-1/2"	0.63	4	1.38	12.28	12.28	8.58	2.75	0.71	5.20	3.50	235	150
50(2")	1.97	4.75	6.00	2.37	NPT 2"	0.75	4	1.50	13.86	13.86	9.37	3.18	0.79	6.10	3.98	235	150
65(2-1/2")	2.39	5.50	7.00	2.87	NPT 2-1/2"	0.75	4	1.75	8.25	8.25	12.28	3.52	0.79	5.40	5.91	235	150
80(3")	3.15	6.00	7.50	3.49	NPT 3"	0.75	4	1.88	9.63	9.63	14.17	4.30	0.90	6.45	7.24	235	150
100(4")	3.94	7.50	9.00	4.49	NPT 4"	0.75	8	2.25	11.69	11.69	16.06	5.36	0.90	7.84	7.83	235	150

DIN														Unit:mm			
Nom. Size DN-inch	D1	D2	D3	d		Øe	n	P	L			B	T	H	b	Test Press (bar)	Working Press (bar)
				SOCKET	THREAD				SOCKET	THREAD	FLANGE						
15(1/2")	15.0	65	95	20	R 1/2"	14	4	16.0	205.0	205.0	146.0	35.0	15	70.0	46	15	10
20(3/4")	20.0	75	105	25	R 3/4"	14	4	18.5	234.0	234.0	170.0	39.0	16	80.0	61	15	10
25(1")	26.0	85	115	32	R 1"	14	4	22.0	250.0	250.0	174.0	47.0	17	95.0	70	15	10
32(1-1/4")	32.0	100	140	40	R 1-1/4"	18	4	26.0	283.0	283.0	200.0	55.0	17	110.0	81	15	10
40(1-1/2")	40.0	110	150	50	R 1-1/2"	18	4	31.0	312.0	312.0	218.0	70.0	17	132.0	88	15	10
50(2")	50.0	125	165	63	R 2"	18	4	37.5	352.0	352.0	238.0	81.0	20	155.0	101	15	10
65(2-1/2")	60.6	145	185	75	R 2-1/2"	18	4	43.5	445.0	445.0	312.0	89.5	20	137.1	150	15	10
80(3")	80.0	160	200	90	R 3"	18	8	51.0	516.0	516.0	360.0	109.3	23	163.8	184	15	10
100(4")	100.0	180	220	110	R 4"	18	8	61.0	602.0	602.0	408.0	136.1	23	199.2	199	15	10

* The flanged length tolerance is according to EN558-1:1995.